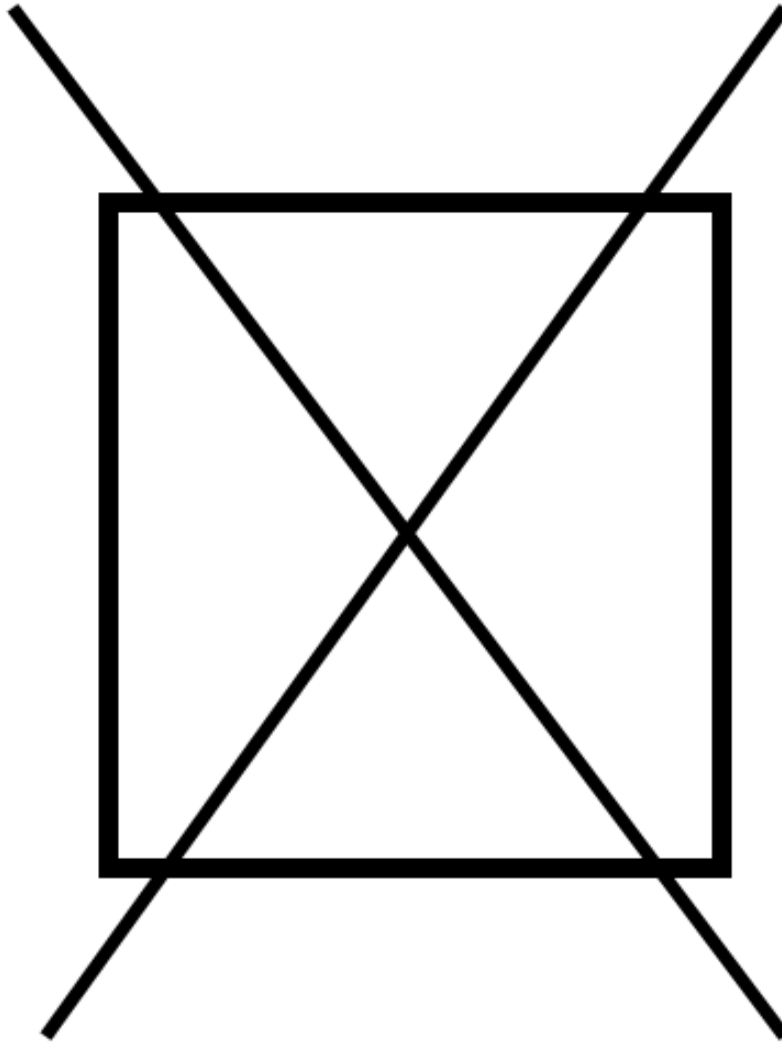


# **DDFF036SERIES12**

CABINET .....	1
FREEZER DOOR .....	2
FREEZER LINER .....	3
FRIDGE .....	4
FRIDGE DOOR .....	5
ICEMAKER .....	6
SHELF .....	7
UNIT AREA .....	8
Appendix A:Pages Index .....	A
Appendix B:Parts Index .....	B



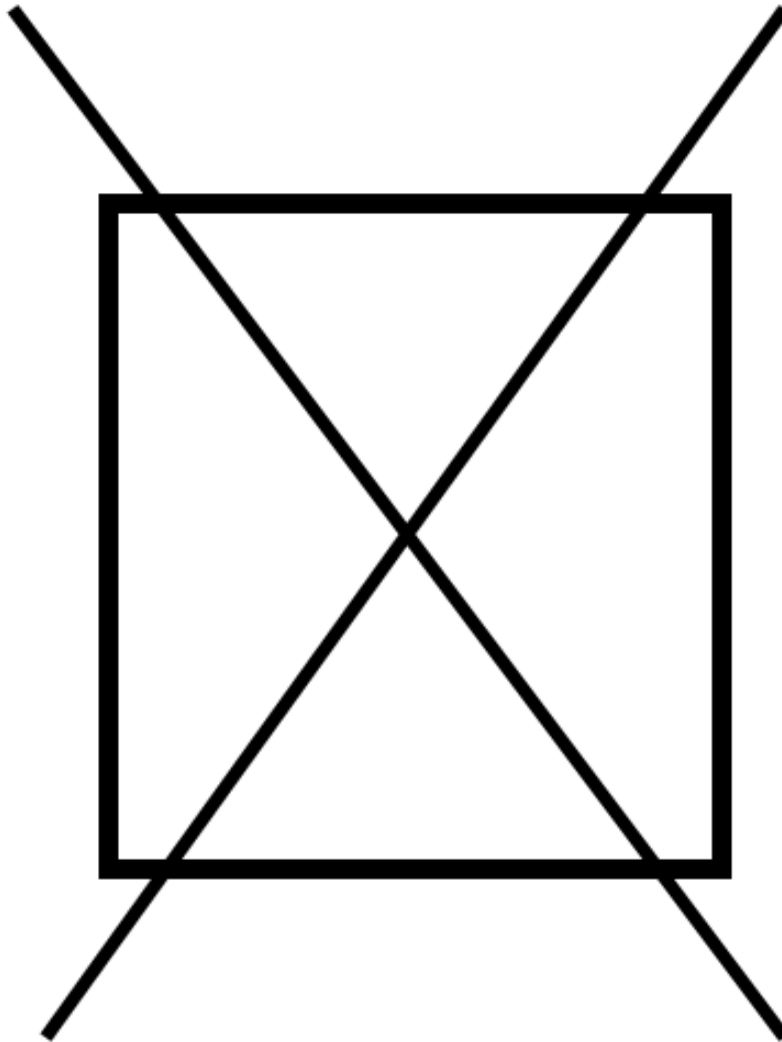
NON  
ILLUSTRATED PART





Item	Part No.	Name	Qty	Uom	NOTES
1	PS400094	CORNER COVER (67003485)	1	EA	Not available online / Call for pricing and availability
2	PS400011	PLUG, BUTTON (BLACK)	3	EA	NO LONGER AVAILABLE
3	NOT REPLACEABLE	CABINET	1	EA	
4	PS400015	SCREW, TOP HINGE COVER (67006521)	1	EA	
5	011489-000	HINGE, TOP - BK, LT - SUBS TO 022155-000	1	EA	
Not Shown	011490-000	HINGE, TOP - BK, RT - SUBS TO PS400006	1	EA	
6	PS400010	GEAR (LH & RH)	3	EA	
7	PS400009	COVER, TOP HINGE - LEFT HINGE (67006726)	1	EA	
Not Shown	PS400008	COVER, RIGHT HINGE, BLACK	1	EA	
8	PS400183	COVER, WATER LINE (67003331)	1	EA	NO LONGER AVAILABLE, Not available online / Call for pricing and availability
9	PS400013	SCREW, DOOR STOP (67006287)	1	EA	NO LONGER AVAILABLE
10	PS400176	BLOCK, FILTER (67004092)	2	EA	NO LONGER AVAILABLE
11	PS400181	CLIP, SPEED (M0114003)	1	EA	
12	PS400185	ELBOW, FILL TUBE	1	EA	
13	PS400129	SCREW, SMALL (67006425)	1	EA	
14	PS400172	COVER, MC BACK (67006101)	1	EA	
15	PS400175	GASKET	1	EA	NO LONGER AVAILABLE, Not available online / Call for pricing and availability
16	PS400182	CLAMP, TUBE	1	EA	NO LONGER AVAILABLE
17	PS400173	COVER, WATER VALVE (67004098)	1	EA	
18	PS400187	DUAL TUBE SWEEP (67004101)	1	EA	NO LONGER AVAILABLE, Not available online / Call for pricing and availability

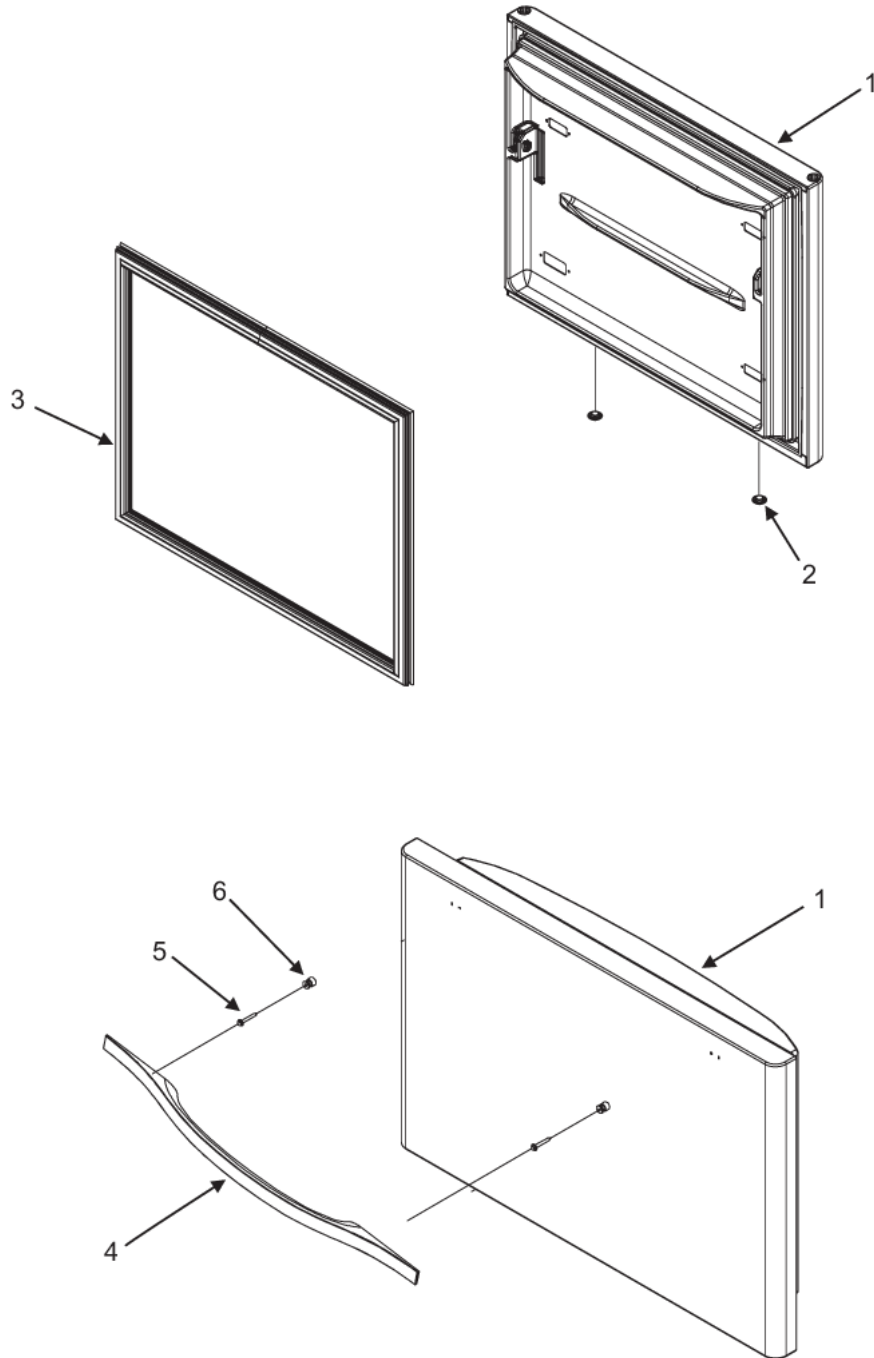
# NON ILLUSTRATED PART





Item	Part No.	Name	Qty	Uom	NOTES
19	PS400186	ACOUSTIC FIBER (67003796)	1	EA	NO LONGER AVAILABLE
20	011495-000	TUBE, DRAIN	1	EA	
21	011492-000	CLIP, DRAIN TUBE	1	EA	
22	011488-000	BRAKE, FOOT	1	EA	
23	011494-000	GRILLE, TOE - BK	1	EA	
24	PS400282	SCREW, BOTTOM HINGE (67006564)	8	EA	NO LONGER AVAILABLE, Not available online / Call for pricing and availability
25	011485-000	ROLLER ASSY, FRONT RT (W10130459)	1	EA	
Not Shown	011487-000	ROLLER ASSY, FRONT LT	1	EA	
26	PS400024	SCREW, CENTER HINGE (67006380)	1	EA	NO LONGER AVAILABLE
27	PS400233	CENTER HINGE (67002027) - SUBS TO 017002-000	1	EA	
28	PS400022	PIN, CENTER HINGE (67006642)	1	EA	
29	PS400129	SCREW, SMALL (67006425)	1	EA	

FREEZER DOOR

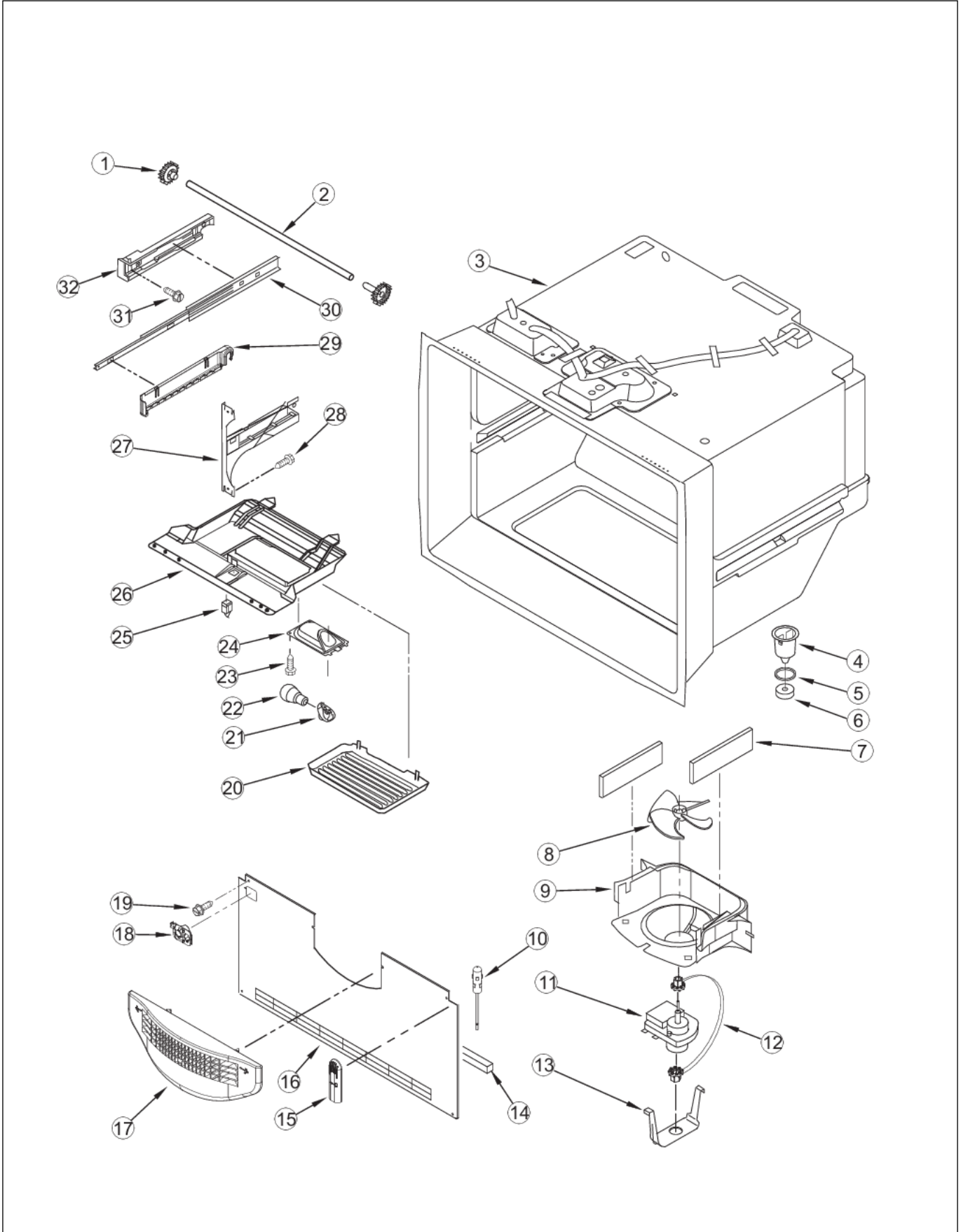






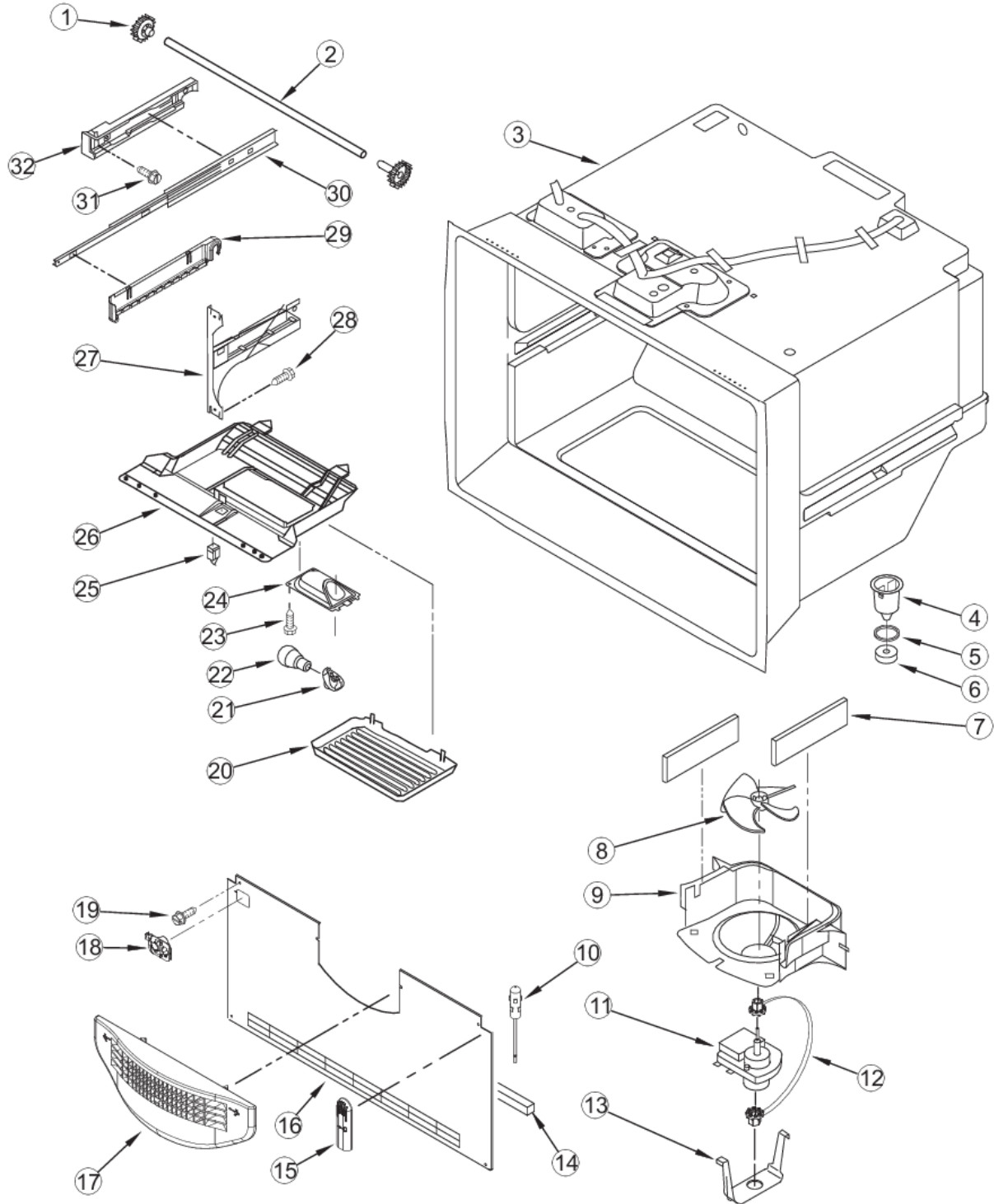
Item	Part No.	Name	Qty	Uom	NOTES
1	011607-000	DOOR, FREEZER - SS	1	EA	
2	PS400016	PLUG, VENT (67004838)	2	EA	NO LONGER AVAILABLE
3	011604-000	GASKET, DOOR - BK - SUBS TO PS400028	1	EA	
4	PE030188	Designer Handle Ref-Outsourced 67006725	1	EA	
5	011635-000	SCREW	2	EA	Not available online / Call for pricing and availability
6	PS400213	MOUNT, HANDLE 67006109	2	EA	

FREEZER LINER



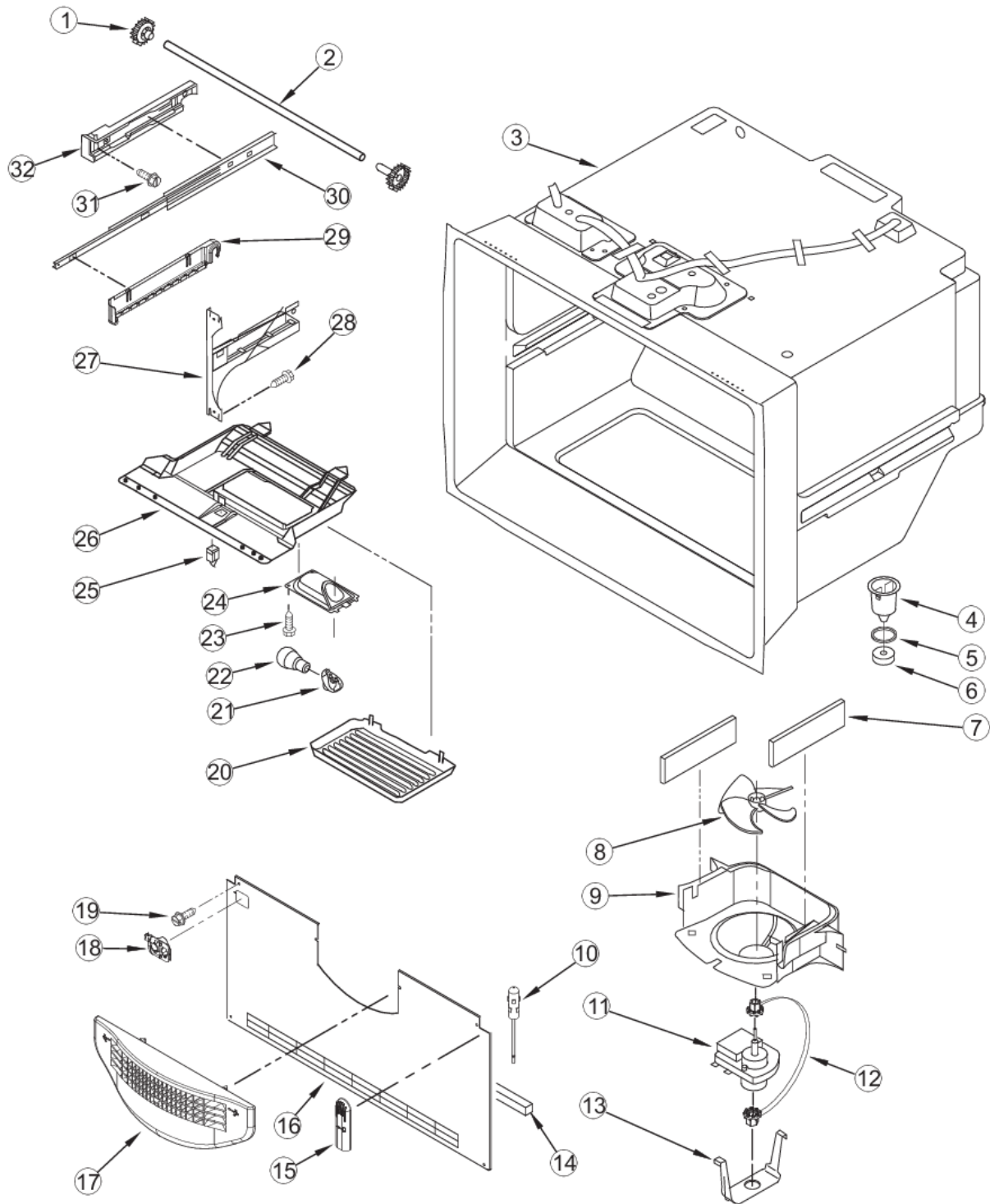


Item	Part No.	Name	Qty	Uom	NOTES
1	011497-000	GEAR, LT/RT	2	EA	
2	021917-000	SHAFT, RACK	1	EA	
3	NOT REPLACEABLE	LINER	1	EA	
4	PS400092	FUNNEL, DRAIN	1	EA	
5	PS400091	SEAL, O-RING	1	EA	
6	PS400090	GASKET, DRAIN TUBE	1	EA	
7	PS400143	FOAM GASKET (67001291)	1	EA	NO LONGER AVAILABLE, Not available online / Call for pricing and availability
8	001507-000	WIRING DIAGRAM VGIC48-6G (NON-ADH)	1	EA	NO LONGER AVAILABLE, Not available online / Call for pricing and availability
9	001506-000	VGIC364Q WIRING DIAGRAM (NON-ADHESIVE)	1	EA	NO LONGER AVAILABLE, Not available online / Call for pricing and availability
10	PS400063	THERMISTOR	1	EA	
11	PS400139	MOTOR, EVAPORATOR FAN (67003636)	1	EA	
12	001508-000	WIRING DIAGRAM VGIC48-6Q (NON-ADH)	1	EA	NO LONGER AVAILABLE, Not available online / Call for pricing and availability
13	001503-000	PRO 27" INSULATION RETAINER (BEFORE 7/17/06)	1	EA	NO LONGER AVAILABLE, Not available online / Call for pricing and availability
14	PS400126	GASKET (A3189396)	1	EA	
15	PS400149	COVER, FREEZER THERMISTOR (67003924)	1	EA	NO LONGER AVAILABLE, Not available online / Call for pricing and availability
16	PS400125	COVER, EVAPORATOR (67005873)	1	EA	NO LONGER AVAILABLE, Not available online / Call for pricing and availability





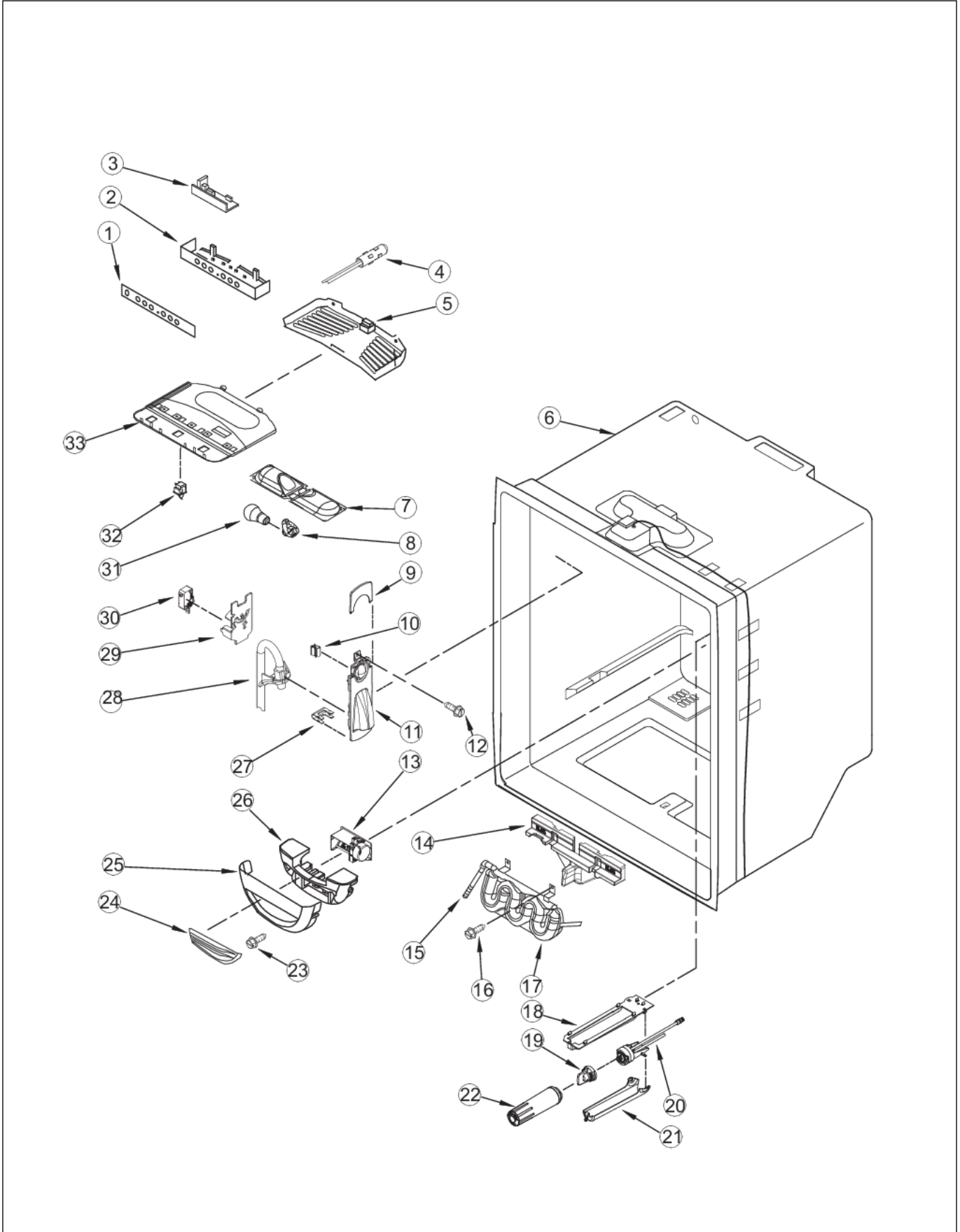
Item	Part No.	Name	Qty	Uom	NOTES
17	001505-000	VGIC364G WIRING DIAGRAM (NON-ADHESIVE)	1	EA	NO LONGER AVAILABLE, Not available online / Call for pricing and availability
18	001509-000	WIRING DIAGRAM - VGIC48-4G (NON-ADH)	1	EA	NO LONGER AVAILABLE, Not available online / Call for pricing and availability
19	PS400129	SCREW, SMALL (67006425)	4	EA	
20	PS400058	COVER, FREEZER LIGHT (67003905)	1	EA	NO LONGER AVAILABLE
21	PS400053	LIGHT SOCKET (12570701)	1	EA	
22	001499-000	Pro 30" Insulation Retainer Kit (After 7-17-06)	1	EA	NO LONGER AVAILABLE
23	PS400062	SCREW, HOUSING (67006530)	1	EA	NO LONGER AVAILABLE, Not available online / Call for pricing and availability
24	021759-000	HOUSING, LIGHT	1	EA	
25	PS400061	LIGHT SWITCH / INTERLOCK (12002646)	1	EA	
26	PS400059	MODULE, FREEZER CONTROL (67003906)	1	EA	NO LONGER AVAILABLE
27	001500-000	Pro 30" Insulation Retainer Kit ( Before 7-17-06)	1	EA	
Not Shown	001501-000	Pro 27" Insulation Retainer Kit (After 7-17-06)	1	EA	NO LONGER AVAILABLE
28	PS400101	SCREW, BRACKET (67006473)	8	EA	
29	PS400116	BASKET CRADLE - LEFT TRACK (67004728)	1	EA	
Not Shown	PS400117	BASKET CRADLE - RIGHT TRACK (67004729)	1	EA	
30	001504-000	SLIDE, DRAWER	1	EA	Not available online / Call for pricing and availability
31	PS400093	SCREW, ADAPTER (67006406)	6	EA	
32	PS400118	ADAPTER - LEFT TRACK (67004971)	1	EA	
Not Shown	PS400119	ADAPTER RIGHT TRACK (67004972)	1	EA	





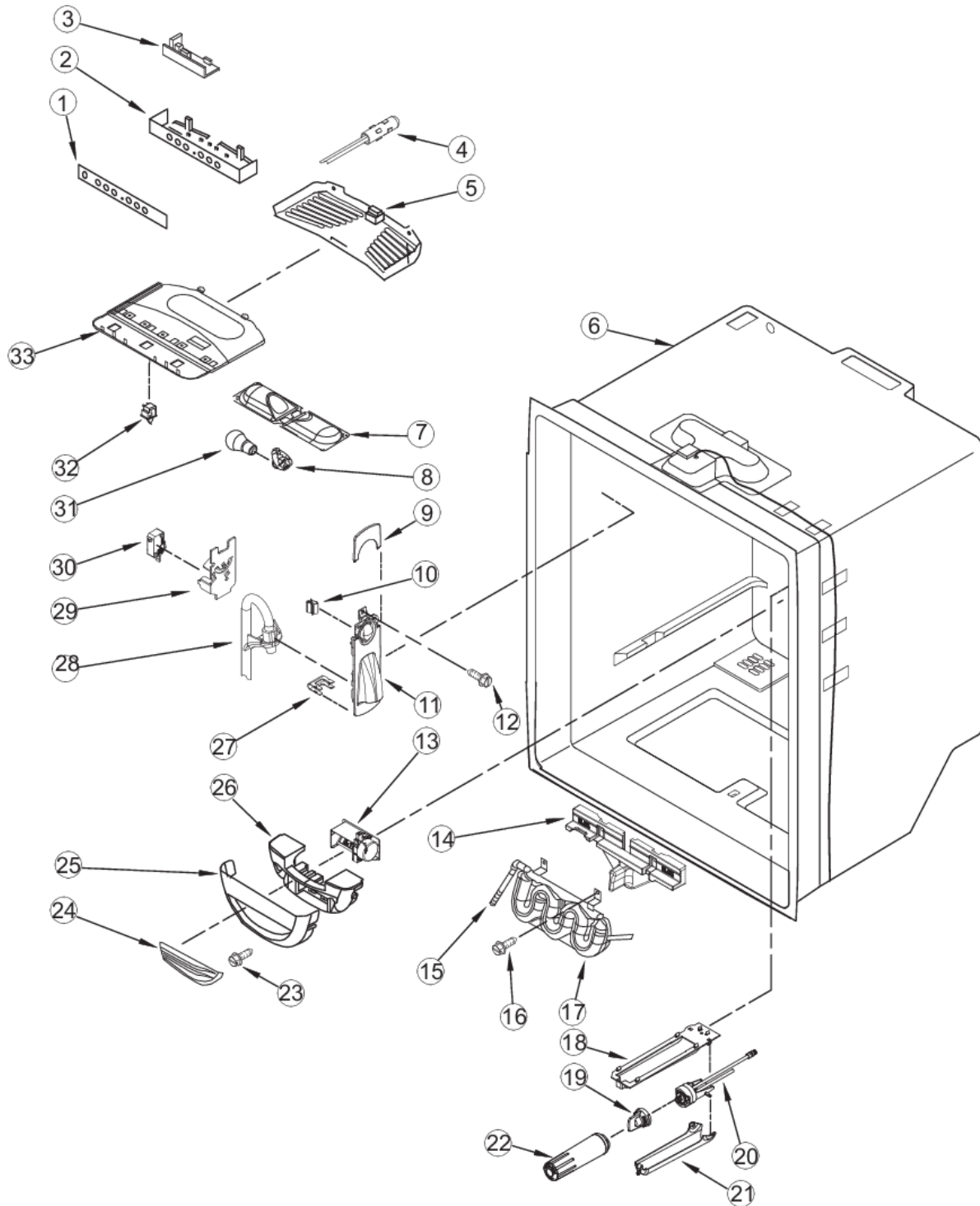
Item	Part No.	Name	Qty	Uom	NOTES
NI	001510-000	WIRING DIAGRAM - VGIC488-4GQ (NON-ADH)	1	EA	NO LONGER AVAILABLE, Not available online / Call for pricing and availability

FRIDGE





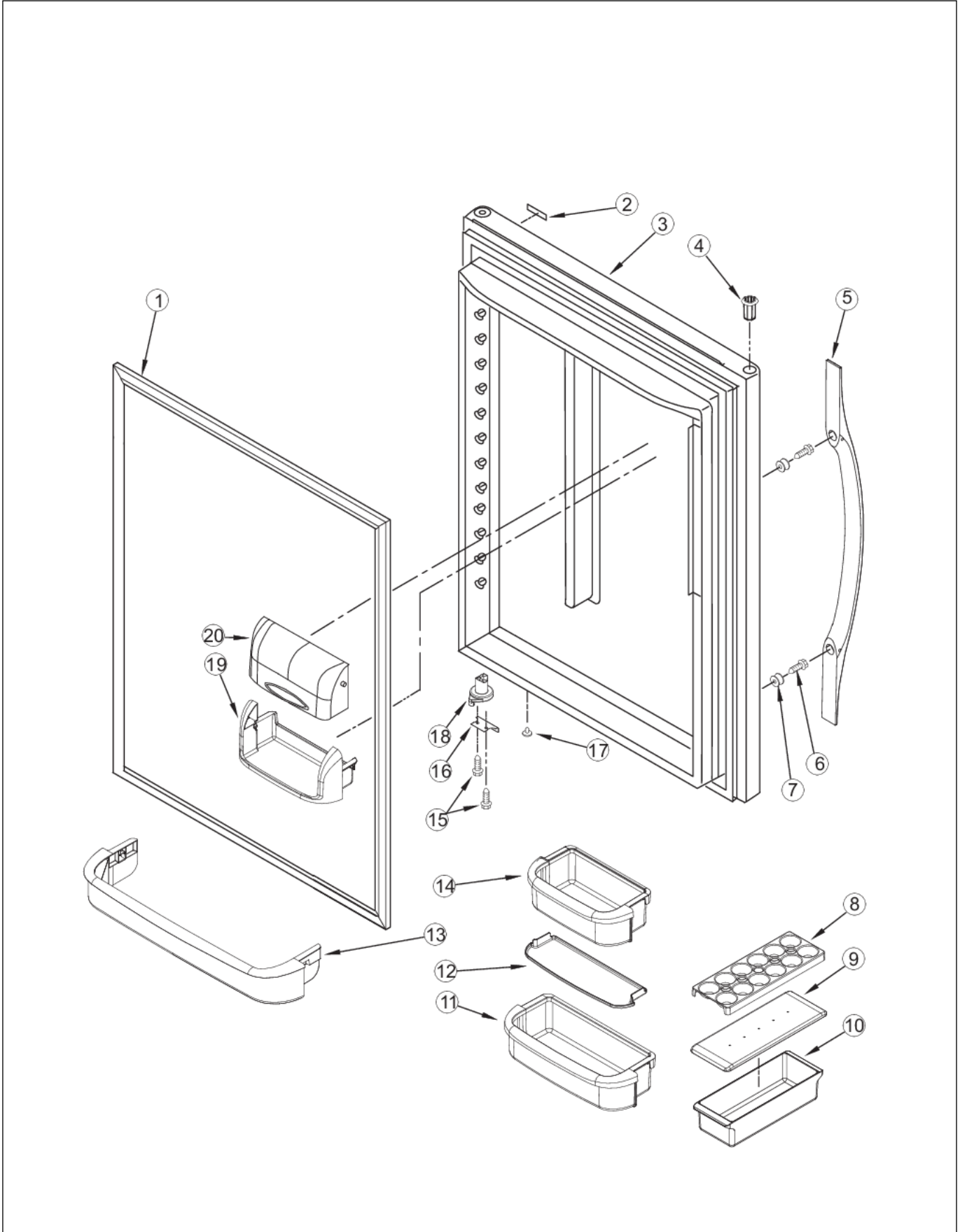
Item	Part No.	Name	Qty	Uom	NOTES
1	PS400055	KEYBOARD CONTROL	1	EA	
2	011512-000	MODULE, CONTROL	1	EA	
3	021881-000	CONTROL BOARD	1	EA	
4	PS400063	THERMISTOR	1	EA	
5	PS400046	COVER, REFRIGERATOR LIGHT (67003897)	1	EA	NO LONGER AVAILABLE
6	NOT REPLACEABLE	LINER	1	EA	
7	PS400052	LIGHT HOUSING (67003901)	1	EA	NO LONGER AVAILABLE, Not available online / Call for pricing and availability
8	0011515-000	SOCKET, LIGHT	1	EA	Not available online / Call for pricing and availability
9	PS400038	TOP, FACADE DISPENSER (67006733)	1	EA	
10	PS400032	FACADE CLIP (B8390302)	2	EA	
11	001518-000	FACADE, DISP.	1	EA	Not available online / Call for pricing and availability
12	PS400129	SCREW, SMALL (67006425)	2	EA	
13	011517-000	CONTROL, DAMPER	1	EA	Not available online / Call for pricing and availability
14	001520-000	INSULATION, WATER TANK	1	EA	Not available online / Call for pricing and availability
15	PS400040	UNION (5/16 X 5/16)	1	EA	
16	PS400013	SCREW, DOOR STOP (67006287)	2	EA	NO LONGER AVAILABLE
17	011519-000	TANK, WATER	1	EA	Not available online / Call for pricing and availability
18	PS400029	FILTER BACKING PLATE (67001668)	1	EA	
19	PS400041	BYPASS PLUG (12664501)	1	EA	
20	PS400030	WATER FILTER HEAD (W/TUBING) (67006524)	1	EA	
21	PS400031	COVER, FILTER	1	EA	





Item	Part No.	Name	Qty	Uom	NOTES
22	SALES ITEM	FILTER, WATER	1	EA	
23	PS400051	SCREW, DAMPER BASE (67006602)	2	EA	NO LONGER AVAILABLE, Not available online / Call for pricing and availability
24	021695-000	INSERT, DAMPER COVER	1	EA	
25	021694-000	COVER, DAMPER	1	EA	
26	PS400057	INSULATION, DAMPER CONTROL (67006604)	1	EA	NO LONGER AVAILABLE
27	PS400037	WATER LINE CLIP (67002816)	1	EA	
28	021776-000	GUIDE, WATERLINE	1	EA	
29	PS400034	SWITCH PLATE (67002742)	1	EA	
30	PS400035	SWITCH, LIMIT	1	EA	
31	011513-000	BASE,CURB,FRONT,SST,36" CUSTOM RANGES	2	EA	Not available online / Call for pricing and availability
32	PS400044	LIGHT SWITCH (C3680310)	1	EA	
33	011511-000	MODULE, LIGHT	2	EA	
NI	PS400064	HARNES, FF CONTROL (67005644)	1	EA	NO LONGER AVAILABLE, Not available online / Call for pricing and availability

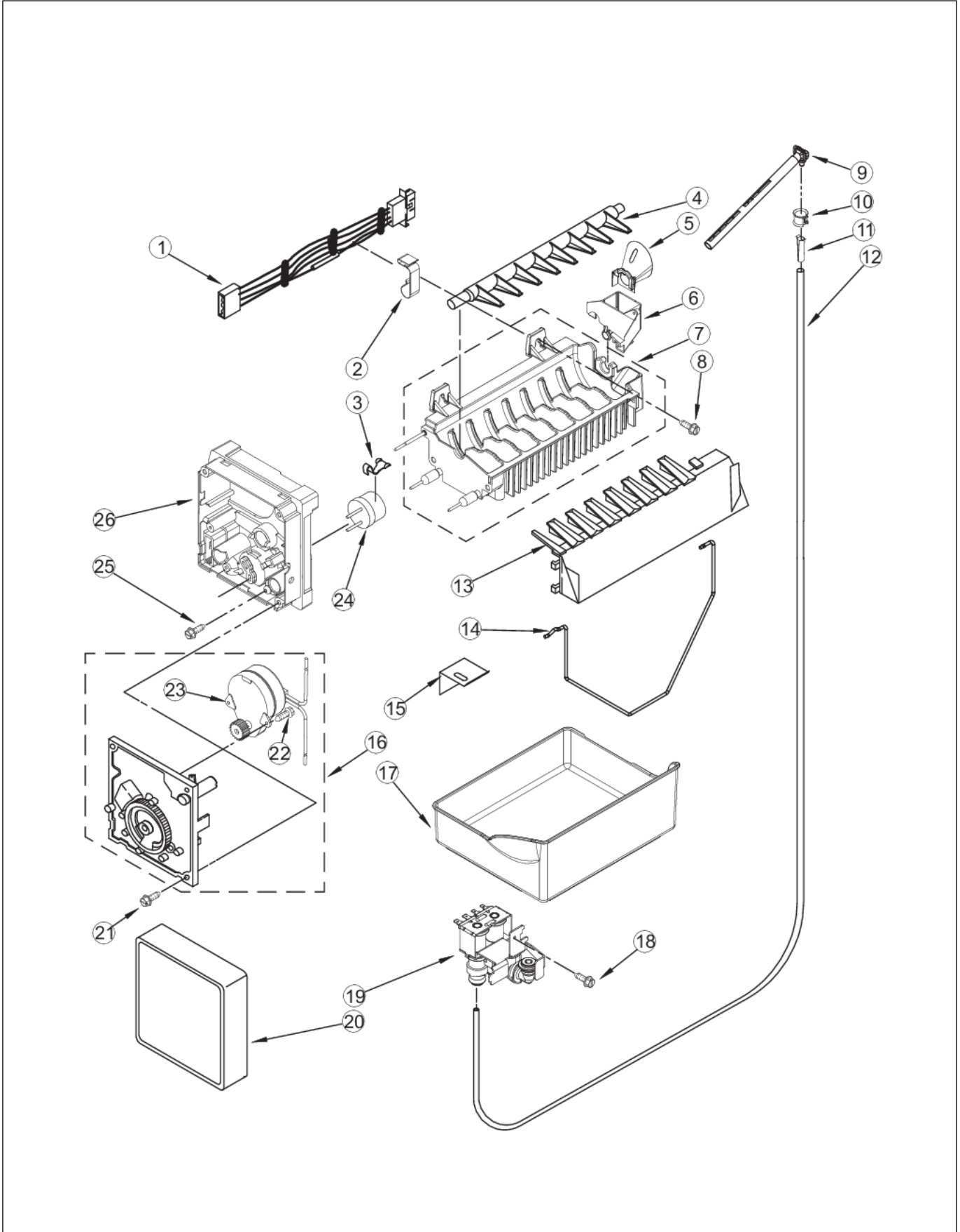
FRIDGE DOOR





Item	Part No.	Name	Qty	Uom	NOTES
1	011599-000	GASKET, DOOR - BK	1	EA	
2	SALES ITEM	LOGO	1	EA	
3	011596-000	DOOR, REFRIGERATOR- LT, SS	1	EA	
Not Shown	011597-000	DOOR, REFRIGERATOR- RT, SS	1	EA	Not available online / Call for pricing and availability
4	021751-000	BUSHING, DOOR, BLACK (UPPER RIGHT)	1	EA	
5	PE030188	Designer Handle Ref-Outsourced 67006725	2	EA	
6	011598-000	SCREW	1	EA	
7	PS400213	MOUNT, HANDLE 67006109	1	EA	
8	011600-000	TRAY, EGG	1	EA	
9	PS400088	LID, PANTRY (67006736)	1	EA	
10	011601-000	BIN, UTILITY	1	EA	Not available online / Call for pricing and availability
11	PS400019	LARGE DOOR SHELF (INC. GRIPPER) (67006728) - SUBS TO 022160-000	2	EA	
12	PS400021	GRIPPER, LARGE (67006729)	2	EA	NO LONGER AVAILABLE
12	PS400026	GRIPPER, MEDIUM (67006731)	1	EA	NO LONGER AVAILABLE
13	PS400020	RETAINER, REFRIGERATOR DOOR (67003027)	1	EA	
14	PS400025	BUCKET, MEDIUM (W/GRIPPER) - SUBS TO 021701-000	1	EA	
15	PS400013	SCREW, DOOR STOP (67006287)	1	EA	NO LONGER AVAILABLE
16	PS400012	180 DEGREE DOOR STOP BK (67003780)	1	EA	
17	PS400016	PLUG, VENT (67004838)	2	EA	NO LONGER AVAILABLE
18	PS400014	DOOR CLOSURE (67003639)	1	EA	
19	PS400018	DAIRY DOOR (67006727)	1	EA	
20	PS400017	DAIRY TRAY (67001279)	1	EA	

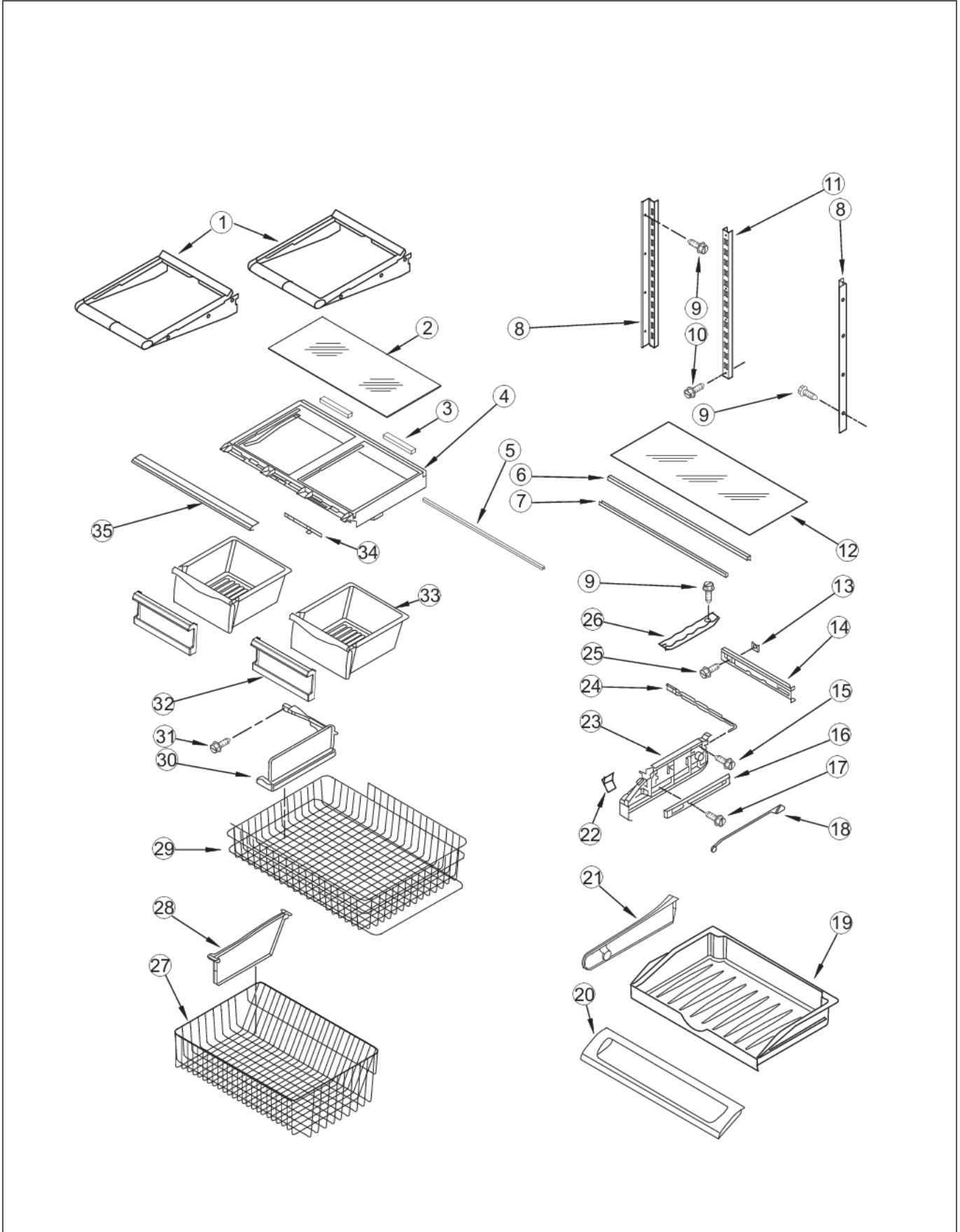
ICEMAKER





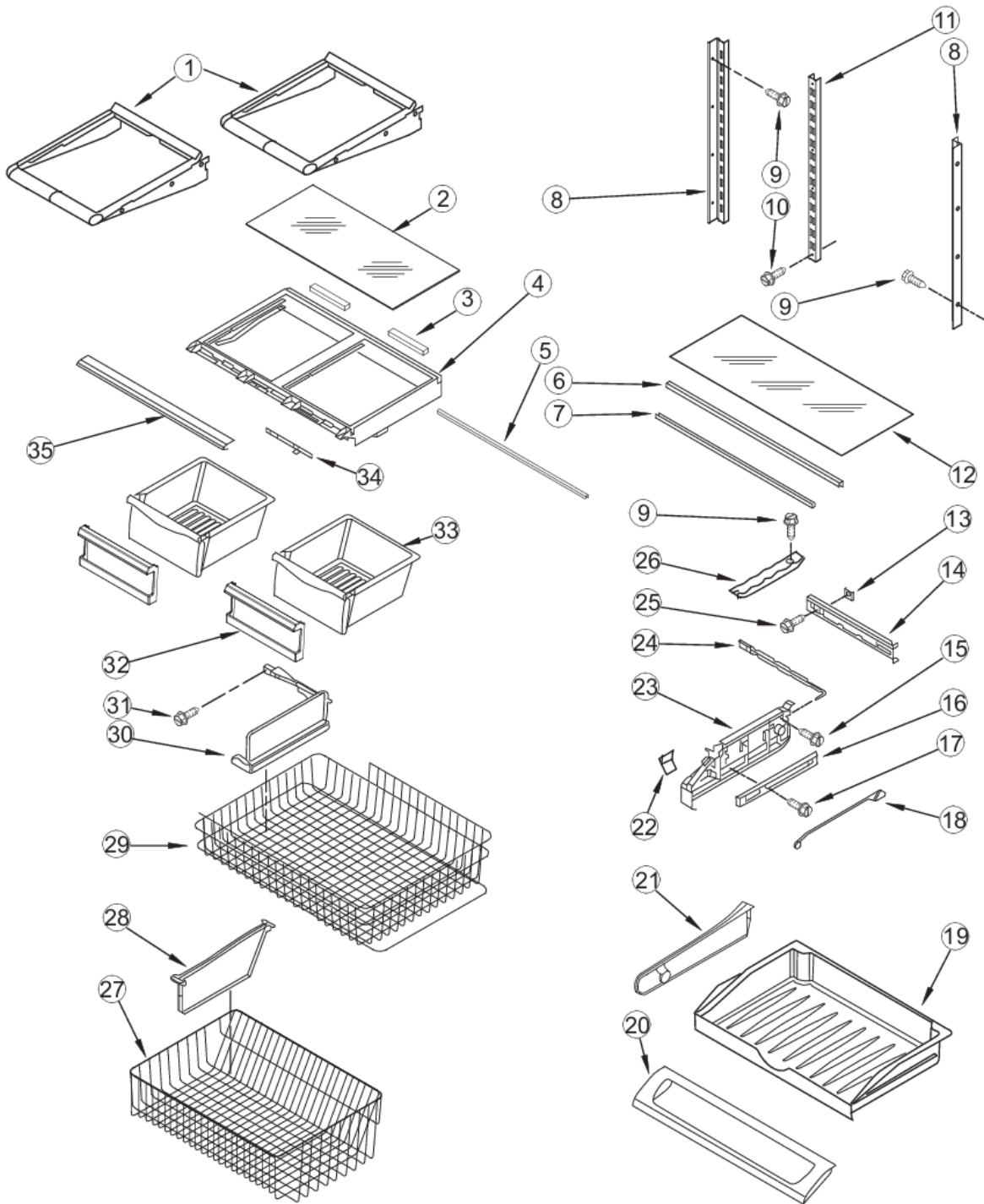
Item	Part No.	Name	Qty	Uom	NOTES
1	011589-000	HARNESS, ICE MAKER	1	EA	
2	011578-000	CLAMP	1	EA	
3	011585-000	RETAINER, THERMOSTAT	1	EA	
4	011582-000	ICE EJECTOR	1	EA	
5	011594-000	FUNNEL, FILL TUBE - SUBS TO 021703-000	1	EA	
6	011581-000	CUP. FILL	1	EA	
7	011580-000	MOLD & HEATER ASSEMBLY	1	EA	
8	011579-000	SCREW	1	EA	
9	PS400185	ELBOW, FILL TUBE	1	EA	
10	PS400181	CLIP, SPEED (M0114003)	1	EA	
11	PS400178	INSERT, TUBE	1	EA	
12	PS400177	PLASTIC TUBE (B5705307)	1	EA	
13	011583-000	ICE STRIPPER	1	EA	Not available online / Call for pricing and availability
14	PS400202	IM SHUTOFF ARM (67004028)	1	EA	
15	011577-000	BRACKET, ICE MAKER	1	EA	
16	021830-000	MODULE ASSEMBLY	1	EA	
17	PS400207	ICE PAN (67001255)	1	EA	
18	PS400174	SCREW, VALVE (67006662)	1	EA	NO LONGER AVAILABLE, Not available online / Call for pricing and availability
19	PS400179	DUAL WATER VALVE (67006531)	1	EA	
20	PS400198	COVER, ICE MAKER (67004710)	1	EA	NO LONGER AVAILABLE, Not available online / Call for pricing and availability
21	021577-000	SCREW	1	EA	
22	011592-000	SCREW	1	EA	
23	011591-000	MOTOR	1	EA	
24	011586-000	THERMOSTAT	1	EA	
25	011587-000	SCREW	1	EA	
26	011584-000	SUPPORT, HOUSING	1	EA	

SHELF





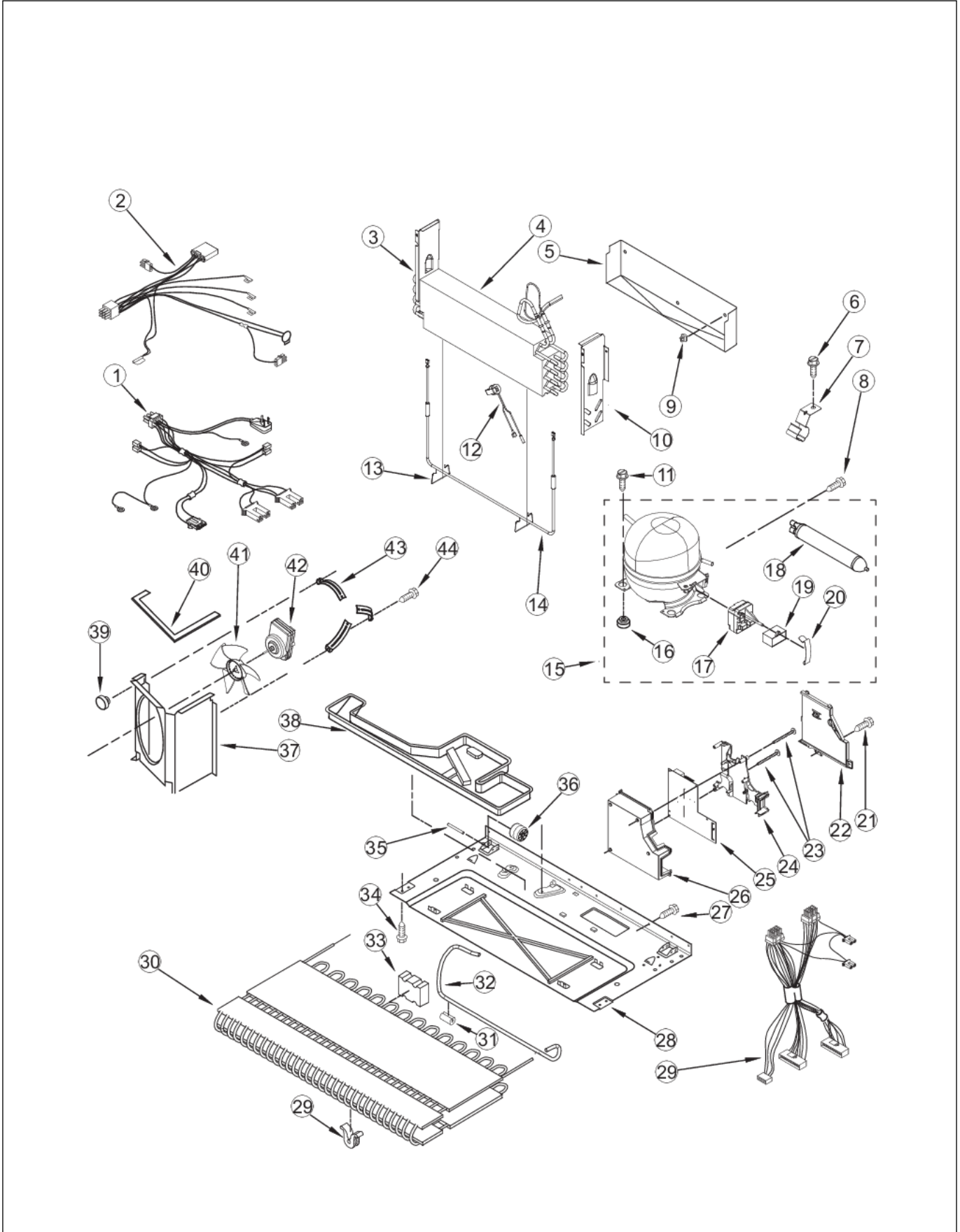
Item	Part No.	Name	Qty	Uom	NOTES
1	PS400066	SHELF, GLIDE OUT (67003169)	4	EA	
2	011575-000	GLASS, CRISPER COVER	1	EA	Not available online / Call for pricing and availability
3	011573-000	GASKET	1	EA	
4	PS400068	FRAME, CRISPER (67006185)	1	EA	
5	PS400073	BRACE, CRISPER	1	EA	
6	PS400075	EXTRUSION, GLASS SUPPORT (67006010)	2	EA	
7	PS400079	BRACE, PANTRY (67002330)	1	EA	NO LONGER AVAILABLE
8	PS400105	RAIL, SHELF SUPPORT - RH / LH (67002489)	2	EA	
9	PS400129	SCREW, SMALL (67006425)	3	EA	
10	PS400106	SCREW, CENTER RAIL (67006360)	2	EA	NO LONGER AVAILABLE, Not available online / Call for pricing and availability
11	PS400104	RAIL, SHELF SUPPORT - CENTER (67001073)	1	EA	NO LONGER AVAILABLE
12	PS400074	GLASS, PANTRY (67002332)	1	EA	
13	021678-000	GASKET, PANTRY	1	EA	
14	PS400081	CONTROL HOUSING (67005625) - SUBS TO 021677-000	1	EA	
15	PS400078	SCREW, END CAP (67006415)	4	EA	
16	011574-000	GLIDE, PANTRY	1	EA	
17	PS400013	SCREW, DOOR STOP (67006287)	4	EA	NO LONGER AVAILABLE
18	021675-000	ROD, TEMP CONTROL	1	EA	
19	PS400087	DRAWER, PANTRY (67003530)	1	EA	
20	034508-000	DOOR, PANTRY DRAWER	1	EA	
21	PS400089	DIVIDER, PANTRY (67002321)	1	EA	
22	PS400085	KNOB, TEMP CONTROL (67003791)	1	EA	Not available online / Call for pricing and availability
23	PS400076	END CAP, LH PANTRY	1	EA	
23	PS400115	DRAWER SLIDE (12002684)	1	EA	



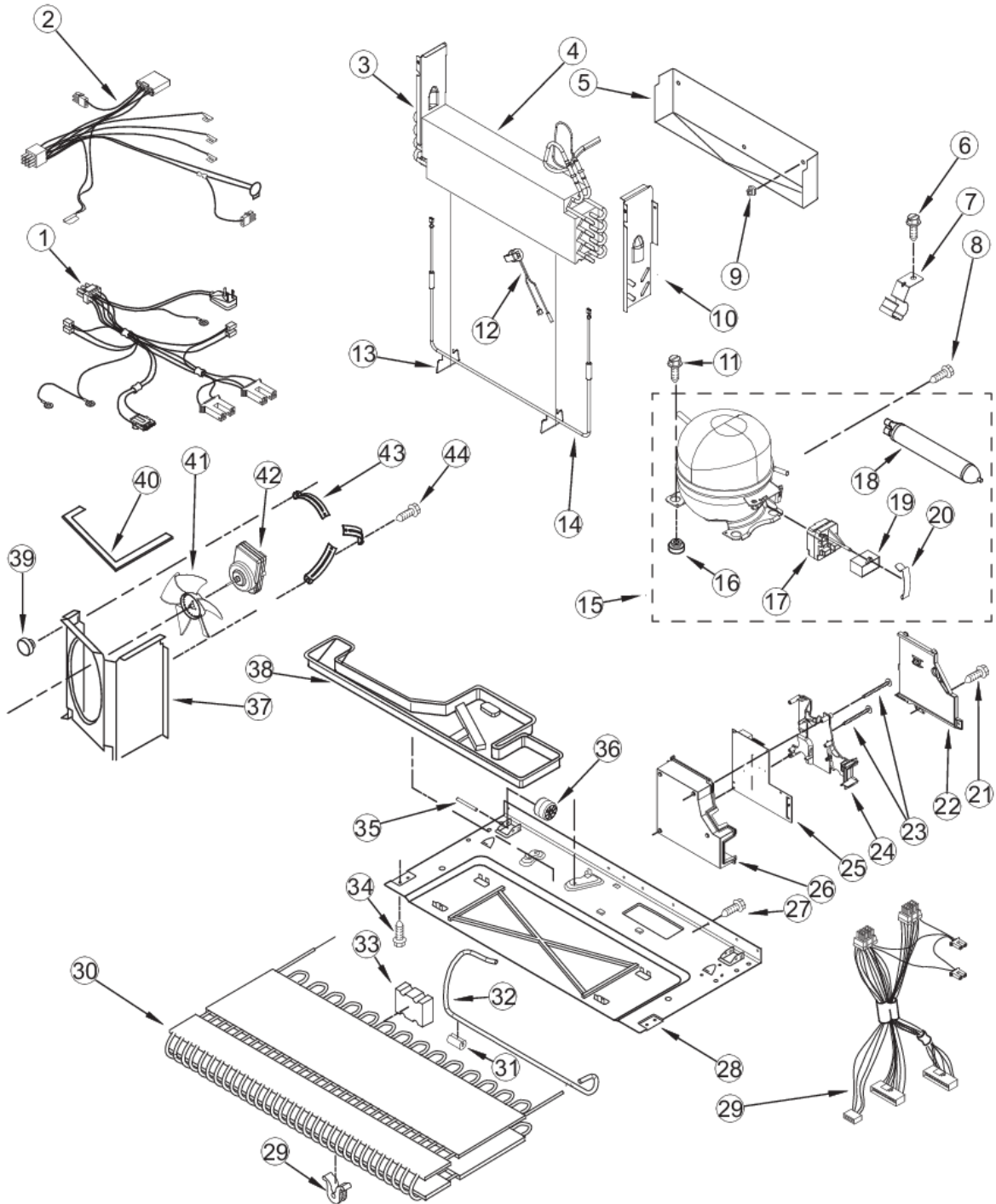


Item	Part No.	Name	Qty	Uom	NOTES
24	PS400083	TEMP CONTROL SLIDE (67003793)	1	EA	
25	PS400129	SCREW, SMALL (67006425)	1	EA	
26	PS400080	TRACK, DELI DRAWER (67001719)	1	EA	NO LONGER AVAILABLE
27	PS400109	LOWER FREEZER BASKET (67006026)	1	EA	
28	PS400114	DIVIDER, LOWER BASKET (67004812)	1	EA	
29	PS400107	UPPER FREEZER BASKET (67004988)	1	EA	
30	PS400111	DIVIDER, UPPER BASKET (67004127)	1	EA	
31	PS400112	SCREW, UPPER DIVIDER (67006608)	1	EA	NO LONGER AVAILABLE, Not available online / Call for pricing and availability
32	PS400069	FRONT, CRISPER PAN (67005926) - SUBS TO 021778- 000	1	EA	
33	PS400071	CRISPER PAN (67002659)	1	EA	
37	PS400070	SLIDE, HUMIDITY CONTROL (Y67001287)	1	EA	
38	PS400072	EXTRUSION, CRISPER FRONT (W10231489) - SUB TO 021832- 000	1	EA	

UNIT AREA

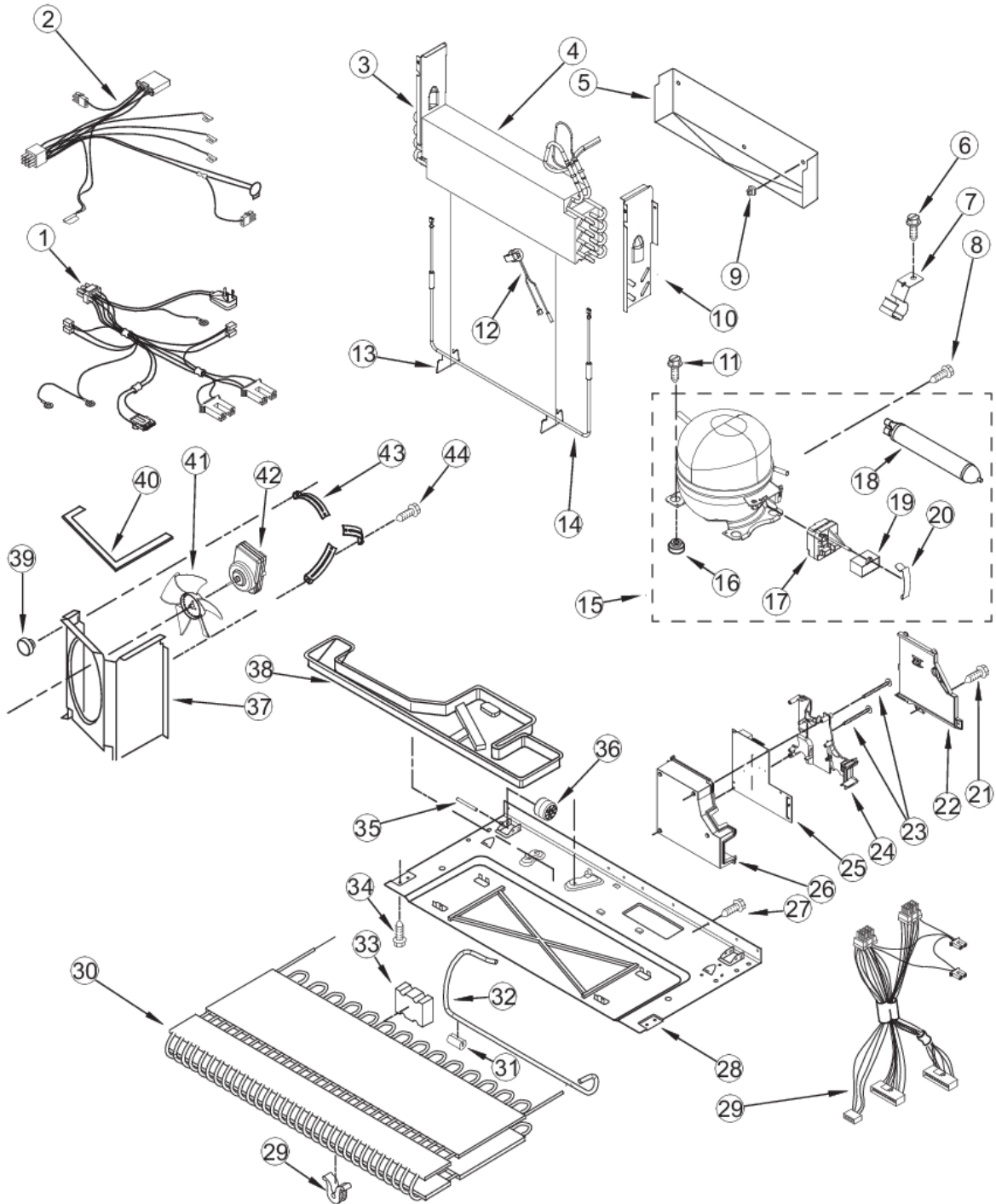


Item	Part No.	Name	Qty	Uom	NOTES
1	011552-000	HARNESS, UNIT W/POWER CORD - SUBS TO 021896-000	1	EA	
2	011542-000	HARNESS, EVAP. HEATER	1	EA	
3	PS400135	DAM, RIGHT RETURN (67001084)	1	EA	NO LONGER AVAILABLE, Not available online / Call for pricing and availability
4	PS400143	FOAM GASKET (67001291)	1	EA	NO LONGER AVAILABLE, Not available online / Call for pricing and availability
5	PS400123	DRIP TRAY, E-CT (67002490)	1	EA	
6	PS400148	SCREW, CLIP (67006737)	1	EA	NO LONGER AVAILABLE, Not available online / Call for pricing and availability
7	011556-000	CLIP, DRIER	1	EA	
8	PS400155	GROUND SCREW (67006433)	1	EA	NO LONGER AVAILABLE, Not available online / Call for pricing and availability
9	PS400124	CLIP, EVAPORATOR	1	EA	Not available online / Call for pricing and availability
10	PS400134	DAM, LEFT RETURN (67001083)	1	EA	NO LONGER AVAILABLE, Not available online / Call for pricing and availability
11	PS400153	SCREW, COMPRESSOR (67006432)	3	EA	
12	011546-000	THERMOSTAT, DEFROST	1	EA	
13	011548-000	CLIP, HEATER - SUBS TO 10428101	1	EA	
14	PS400136	HEATER, EVAPORATOR (67002493)	1	EA	
15	PS400154	COMPRESSOR KIT (8201555)	1	EA	
16	PS400158	GROMMET, COMPRESSOR (67003493)	4	EA	
17	011544-000	RELAY, START	1	EA	
18	011553-000	DRIER - SUBS TO 021799-000	1	EA	
18	011555-000	AXLE, ROLLER	2	EA	





Item	Part No.	Name	Qty	Uom	NOTES
19	PS400182	CLAMP, TUBE	1	EA	NO LONGER AVAILABLE
20	011543-000	CLIP, CAPACITOR	1	EA	
21	PS400190	SCREW, HV BOX COVER (67006615)	3	EA	NO LONGER AVAILABLE, Not available online / Call for pricing and availability
22	PS400189	COVER, HV BOX (67005421)	1	EA	NO LONGER AVAILABLE
23	PS400184	SCREW, HV BOX (67006550)	1	EA	
24	PS400193	SPACER, HV BOX (67005418)	1	EA	NO LONGER AVAILABLE
25	PS400191	HV BOARD (INC. INSTRUCTIONS)	1	EA	NO LONGER AVAILABLE
26	011561-000	BOX, HV	1	EA	
27	PS400129	SCREW, SMALL (67006425)	1	EA	
28	PS400163	BASE PAN (67005889)	1	EA	NO LONGER AVAILABLE
29	011560-000	GROMMET, COND	4	EA	
29	PS400194	HARNESS, HV BOARD (67005419)	1	EA	NO LONGER AVAILABLE, Not available online / Call for pricing and availability
30	PS400166	CONDENSER (67006131)	1	EA	
31	PS400162	GROMMET CONDENSER (67005680)	2	EA	
32	PS400161	DISCHARGE TUBE (67004700)	1	EA	
33	011541-000	BLOCK, CONDENSER	1	EA	
34	PS400130	SCREW (67006573)	1	EA	NO LONGER AVAILABLE
36	011559-000	ROLLER	2	EA	
37	011554-000	SHROUD	1	EA	
38	PS400161	DISCHARGE TUBE (67004700)	1	EA	
39	PS400165	GROMMET BRACKET (61004743)	3	EA	NO LONGER AVAILABLE, Not available online / Call for pricing and availability







Item	Part No.	Name	Qty	Uom	NOTES
40	PS400159	SEAL, CONDENSER SHROUD (61003210)	1	EA	NO LONGER AVAILABLE, Not available online / Call for pricing and availability
41	PS400168	BLADE, FAN (67004952)	1	EA	
42	021893-000	MOTOR, FAN	1	EA	
43	PS400169	BRACKET, CONDENSER MOTOR (67004953)	1	EA	NO LONGER AVAILABLE, Not available online / Call for pricing and availability
44	PS400170	SCREW, BRACKT (67004954)	1	EA	NO LONGER AVAILABLE, Not available online / Call for pricing and availability
NI	011564-000	VALVE, ACCESS (1/4")	1	EA	Not available online / Call for pricing and availability
Not Shown	011566-000	VALVE, ACCESS (5/16")	1	EA	
Not Shown	011567-000	VALVE, ACCESS (3/8")	1	EA	
Not Shown	011568-000	VALVE, ACCESS (1/2")	1	EA	
Not Shown	011569-000	VALVE, ACCESS (5/8")	1	EA	
Not Shown	011571-000	VALVE, ACCESS (3/4")	1	EA	
Not Shown	011572-000	VALVE, ACCESS (3/16")	1	EA	



Appendix A:Pages Index

CABINET ..... 1  
FREEZER DOOR ..... 2  
FREEZER LINER ..... 3  
FRIDGE ..... 4  
FRIDGE DOOR ..... 5  
ICEMAKER ..... 6  
SHELF ..... 7  
UNIT AREA ..... 8



Appendix B:Parts Index

0011515-000	4	011560-000	8
001499-000	3	011561-000	8
001500-000	3	011564-000	8
001501-000	3	011566-000	8
001503-000	3	011567-000	8
001504-000	3	011568-000	8
001505-000	3	011569-000	8
001506-000	3	011571-000	8
001507-000	3	011572-000	8
001508-000	3	011573-000	7
001509-000	3	011574-000	7
001510-000	3	011575-000	7
001518-000	4	011577-000	6
001520-000	4	011578-000	6
011485-000	1	011579-000	6
011487-000	1	011580-000	6
011488-000	1	011581-000	6
011489-000	1	011582-000	6
011490-000	1	011583-000	6
011492-000	1	011584-000	6
011494-000	1	011585-000	6
011495-000	1	011586-000	6
011497-000	3	011587-000	6
011511-000	4	011589-000	6
011512-000	4	011591-000	6
011513-000	4	011592-000	6
011517-000	4	011594-000	6
011519-000	4	011596-000	5
011541-000	8	011597-000	5
011542-000	8	011598-000	5
011543-000	8	011599-000	5
011544-000	8	011600-000	5
011546-000	8	011601-000	5
011548-000	8	011604-000	2
011552-000	8	011607-000	2
011553-000	8	011635-000	2
011554-000	8	021577-000	6
011555-000	8	021675-000	7
011556-000	8	021678-000	7
011559-000	8	021694-000	4
		021695-000	4



021751-000	5	PS400053	3
021759-000	3	PS400055	4
021776-000	4	PS400057	4
021830-000	6	PS400058	3
021881-000	4	PS400059	3
021893-000	8	PS400061	3
021917-000	3	PS400062	3
034508-000	7	PS400063	3, 4
PE030188	2, 5	PS400064	4
PS400008	1	PS400066	7
PS400009	1	PS400068	7
PS400010	1	PS400069	7
PS400011	1	PS400070	7
PS400012	5	PS400071	7
PS400013	1, 4, 5, 7	PS400072	7
PS400014	5	PS400073	7
PS400015	1	PS400074	7
PS400016	2, 5	PS400075	7
PS400017	5	PS400076	7
PS400018	5	PS400078	7
PS400019	5	PS400079	7
PS400020	5	PS400080	7
PS400021	5	PS400081	7
PS400022	1	PS400083	7
PS400024	1	PS400085	7
PS400025	5	PS400087	7
PS400026	5	PS400088	5
PS400029	4	PS400089	7
PS400030	4	PS400090	3
PS400031	4	PS400091	3
PS400032	4	PS400092	3
PS400034	4	PS400093	3
PS400035	4	PS400094	1
PS400037	4	PS400101	3
PS400038	4	PS400104	7
PS400040	4	PS400105	7
PS400041	4	PS400106	7
PS400044	4	PS400107	7
PS400046	4	PS400109	7
PS400051	4	PS400111	7
PS400052	4	PS400112	7



PS400114	.....	7	PS400182	.....	1, 8
PS400115	.....	7	PS400183	.....	1
PS400116	.....	3	PS400184	.....	8
PS400117	.....	3	PS400185	.....	1, 6
PS400118	.....	3	PS400186	.....	1
PS400119	.....	3	PS400187	.....	1
PS400123	.....	8	PS400189	.....	8
PS400124	.....	8	PS400190	.....	8
PS400125	.....	3	PS400191	.....	8
PS400126	.....	3	PS400193	.....	8
PS400129	.....	1, 1, 3, 4, 7, 7, 8	PS400194	.....	8
PS400130	.....	8	PS400198	.....	6
PS400134	.....	8	PS400202	.....	6
PS400135	.....	8	PS400207	.....	6
PS400136	.....	8	PS400213	.....	2, 5
PS400139	.....	3	PS400233	.....	1
PS400143	.....	3, 8	PS400282	.....	1
PS400148	.....	8			
PS400149	.....	3			
PS400153	.....	8			
PS400154	.....	8			
PS400155	.....	8			
PS400158	.....	8			
PS400159	.....	8			
PS400161	.....	8, 8			
PS400162	.....	8			
PS400163	.....	8			
PS400165	.....	8			
PS400166	.....	8			
PS400168	.....	8			
PS400169	.....	8			
PS400170	.....	8			
PS400172	.....	1			
PS400173	.....	1			
PS400174	.....	6			
PS400175	.....	1			
PS400176	.....	1			
PS400177	.....	6			
PS400178	.....	6			
PS400179	.....	6			
PS400181	.....	1, 6			